

5-PORT ETHERNET SWITCH + PANEL INTERFACE CONNECTOR



SPACE SAVING ETHERNET SWITCH

mounts right to the side of the cabinet &
allows communication to several devices through a single access point

IP65
WATERPROOF

UL US
LISTED
ENCL. ACC.
5JR2

- + Free Up Valuable DIN Rail Space
- + Broadcast Storm Protection
- + Industrial EMC
- + Redundant Power Input
- + Custom Configurations Available



SWITCH SPECIFICATIONS

Ethernet	
Transmission Rate	10/100Mbps
Total Port	5
10/100Mbps	5
Connector	RJ-45 x 5
Auto MDI/MDI-X	Yes

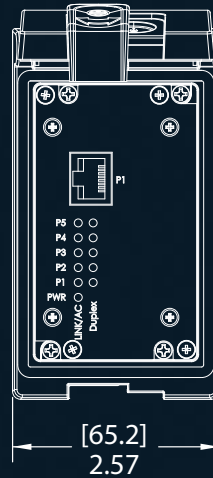
Power Management	
Input	DC 9 ~ 30V
Amps	0.6A Max
Connector	Dual 3 pin 5.08mm pitch Terminal block
Consumption	5.4Watts Max

Regulatory Approvals	
Safety	UL60950-1, CSA C22.2 No.60950-1-03
FCC(EMI)	FCC 47 CFR Part15, Subpart B, Class A ICES-003, Class A ANSI C63.4-2003
CE(EMI)	EN 55022:1988+A1:2000+A2:2003, Class A EN 61000-3-2:2000, Class A EN 61000-3-3: 1995+A1:2001
CE(EMS)	EN 55024:1998+A1:2001+A2:2003 IEC 61000-4-2:2001 IEC 61000-4-3:2002+A1:2002 IEC 61000-4-4:2004 IEC 61000-4-5:2001 IEC 61000-4-6:2003+A1:2004 IEC 61000-4-8:2001 IEC 61000-4-11:2004
Shock	IEC 60068-2-27
Free Fall	IEC 60068-2-32
Vibration	IEC 60068-2-6
RoHS	Lead(Pb) Free
MTBF	455736 hrs(25°C) / 52.02 years(25°C)

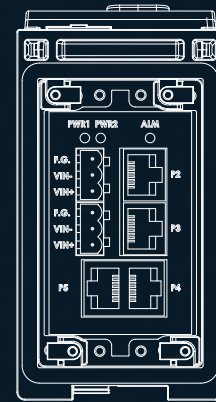
Housing	
Body	Nickel Plated Zinc
Gaskets	PUR FIPG
Front Cover	Polycarbonate
Latch & Lock	PBT
Panel Thickness	5.0mm Max
Mounting Screw Torque	0.8 N-m
Terminal Block Torque	0.5 N-m
Incoming Power Wire Size	0.25 - 2.5 sq mm/24-12AWG
Wire Strip Length	7 - 8mm

Environmental Limits	
Operating Temperature	-10°C ~ 70°C (14°F ~ 158°F)
Storage Temperature	-40°C ~ 85°C (-40°F ~ 185°F)
Ambient Relative Humidity	5%~95% non-condensing

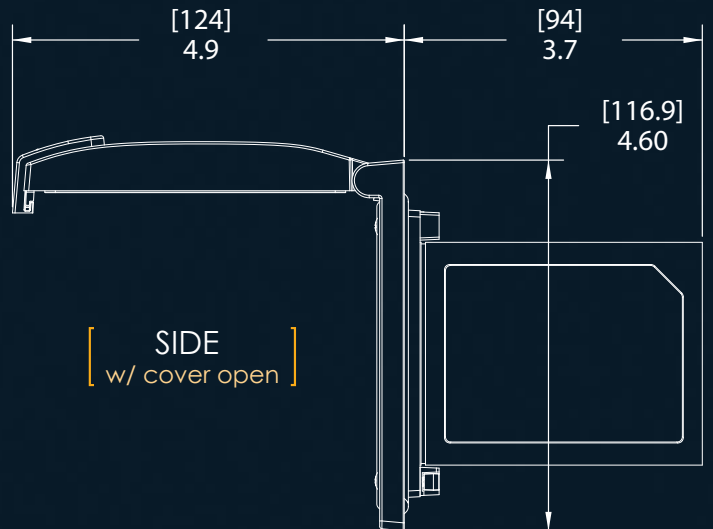
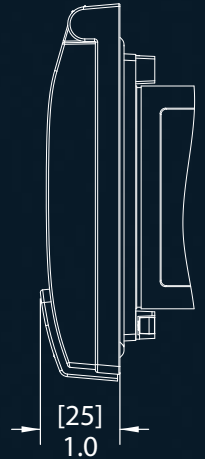
[FRONT]



[REAR]



[SIDE
w/ cover close]



[SIDE
w/ cover open]



[PANEL CUTOUT]